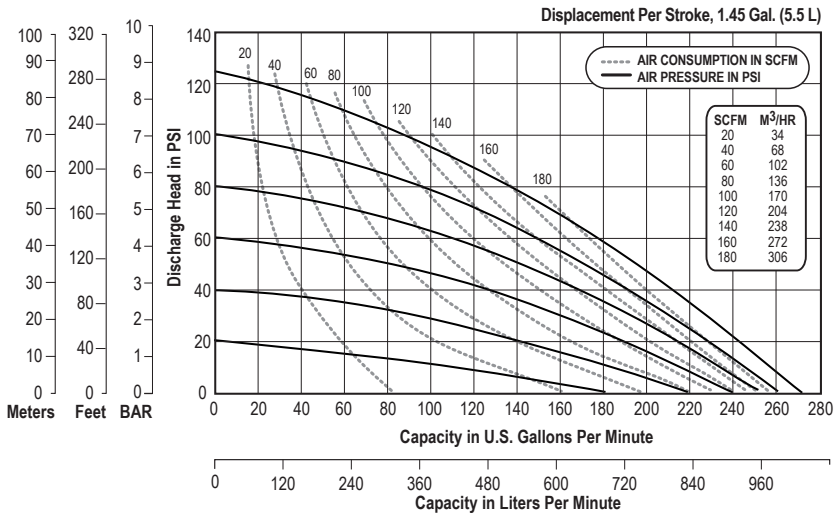


E3 DATA SHEET

SPECIFICATIONS & PERFORMANCE

3" Bolted Metal with Metal Center Section

PERFORMANCE



NOTE: Performance based on the following: elastomeric fitted pump, flooded suction, water at ambient conditions. The use of other materials and varying hydraulic conditions may result in deviations in excess of 5%.

SPECIFICATIONS

Flow Rate

Adjustable to 0-273 gpm (1,033 lpm)

Port Size

Suction

3" ANSI 150 lbs Class (DIN80)

Discharge

3" ANSI 150 lbs Class (DIN80)

Air Inlet 1/2" NPT

Air Exhaust 1" NPT

Suction Lift

Dry 16' (4.9 m)

Wet 31' (9.4 m)

Max Solid Size (Diameter)

. 3/8" (9.5 mm)

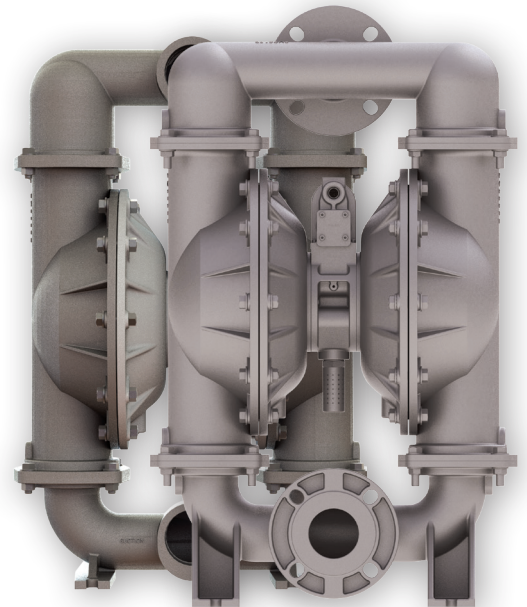
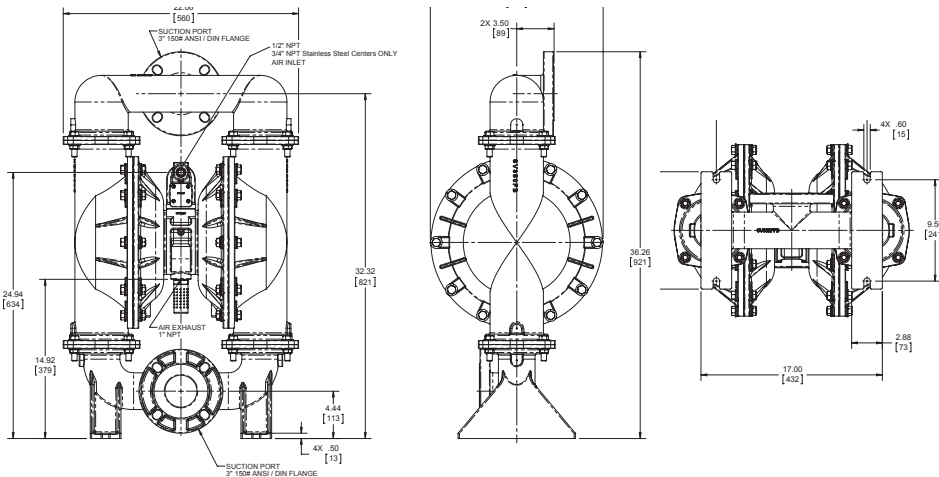
Max Noise Level 93 dB(A)

Shipping Weights

Stainless 245 lbs (111.1 kg)

** Stainless Center add 50 lbs. (22.7 kg)

DIMENSIONS



VERSAMATIC®

Warren Rupp, Inc. | A Unit of IDEX Corporation
800 North Main Street | Mansfield, OH 44902 USA
Phone: 419.526.7296 | Fax: 419.526.7289

VERSAMATIC.COM

e3mdlCdsATEXMB-rev0519

©Copyright 2019 Warren Rupp, Inc. All Rights Reserved.

E3 DATA SHEET

SPECIFICATIONS & PERFORMANCE

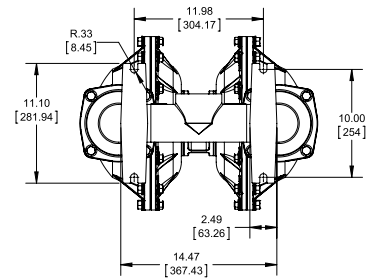
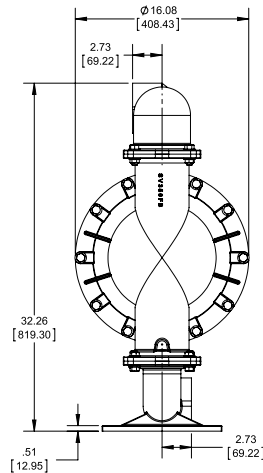
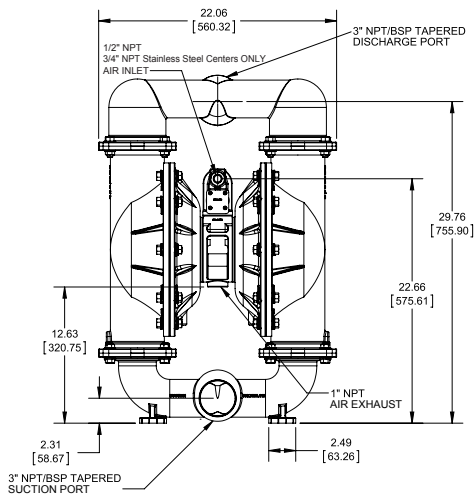
3" Bolted Metal with Metal Center Section

DIMENSIONS

E3 Bolted Metal

Dimensionally Interchangeable with Versamatic Clamped Pumps

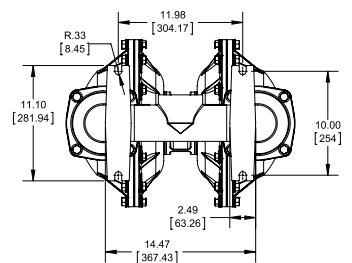
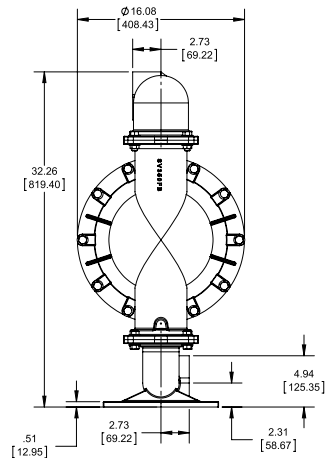
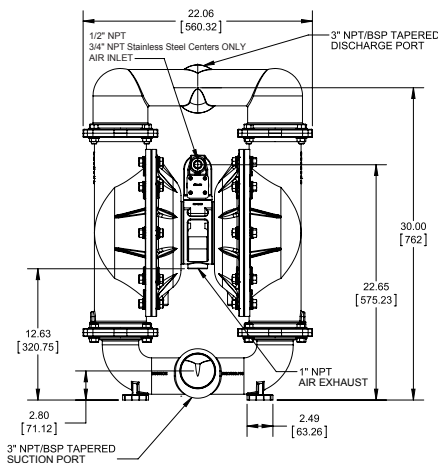
Dimensions in inches (metric dimensions in brackets). Dimensional Tolerance .125" (3mm).



E3 Bolted Metal

Dimensionally Interchangeable with Wilden Clamped Pumps

Dimensions in inches (metric dimensions in brackets). Dimensional Tolerance .125" (3mm).



VERSAMATIC®

Warren Rupp, Inc. | A Unit of IDEX Corporation
800 North Main Street | Mansfield, OH 44902 USA
Phone: 419.526.7296 | Fax: 419.526.7289

VERSAMATIC.COM

e3mdlCdsATEXMB-rev0519

©Copyright 2019 Warren Rupp, Inc. All Rights Reserved.